

## TECHNICAL DATA SHEET

### MOBILE SHELVES / LFAL / Flex Led

VERSION - 30.04.2018

Modular lighting system for mobile shelves with aluminum contactors to be installed as per picture configuration. Move the position of your shelves on the brackets without dismantling your electrical installation.

Système d'éclairage modulable pour étagères mobiles, muni de contacteurs en aluminium, à installer suivant la configuration de l'image. Changez la position de vos étagères sur leurs supports sans démonter votre installation électrique.

Schnurloses Beleuchtungssystem für höhenverstellbare Regalelemente mit soliden Aluminium-Schaltern, die wie unten dargestellt installiert werden können. Bewegen Sie ihre Regalelemente in den Halterungen auf und ab, ohne Ihre elektrische Beleuchtungsanlage abzumontieren..

#### STANDARD

Luminaire	LFAL
Protection Class	IP20
Lighting Source	Flex Led
Length on measure	On request up to 3000mm
Voltage	24V
Power	4.8 W/m
Conductor	CCP : Aluminium constant-pressure contactor PCL : Solid Brass conductor 16mm <sup>2</sup>

#### ON REQUEST

Fixation	FCP (fixed with screw) FCPS (fixed with tape & screw) (Ht: +2mm)
Dimming Option	24V DC: 1-10V, Dali, KNX <i>Ask technical department for more information</i>

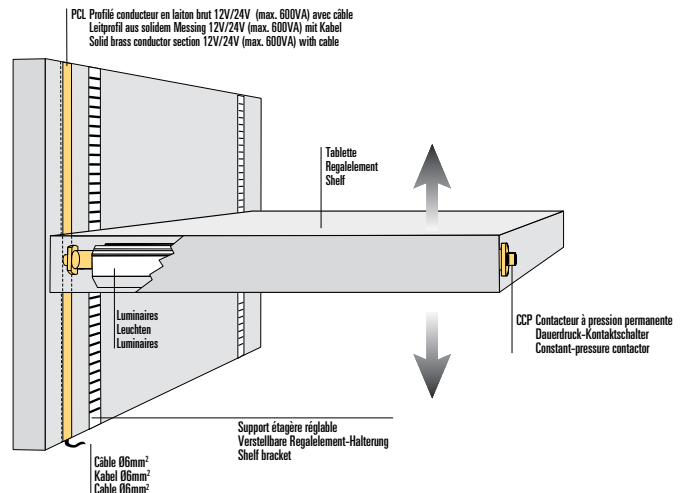
#### LIGHTING SOURCE

Lighting Source	Flex Led
Voltage	24V
Power	4.8W/m
Nb Led	60 LED/m - LED Pitch: 16.8mm
Beam Angle	120°
CRI	>80
Cut-Out	every 100mm
Lifetime	50'000h or 5 years
Working T°	-30°C to +75°C

#### Color Temperature & Luminous Flux / Meter

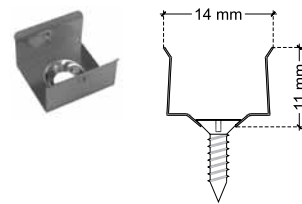
CCT	2700K	3000K	4000K
lm/m	390 lm	390 lm	425 lm

#### CERTIFICAT

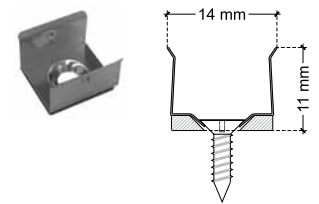


#### ON REQUEST:

##### FCP FIXATION (fixed with screw)



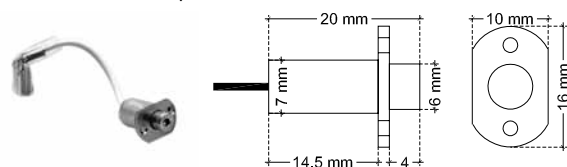
##### FCP-S FIXATION (fixed with tape & screw)



#### CONDUCTOR

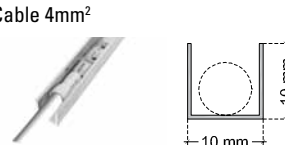
##### CCP - Aluminium Constant Pressure Contactor

50mm Cable 2.5mm<sup>2</sup> - power connectors



##### PCL - Solid Brass Conductor Section 16mm<sup>2</sup>

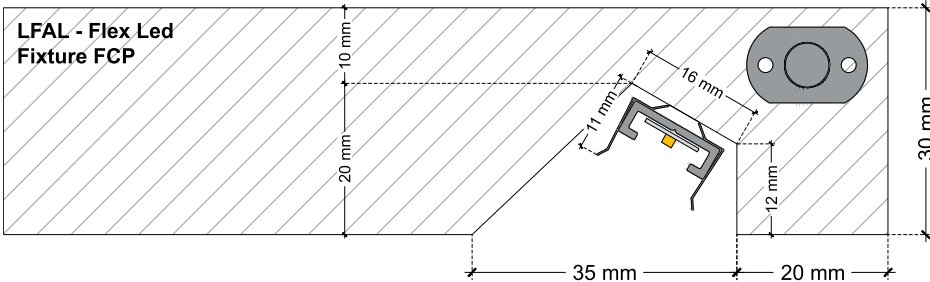
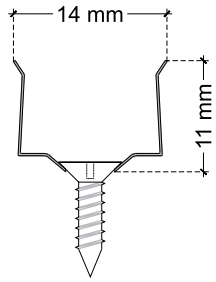
1m Cable 4mm<sup>2</sup>

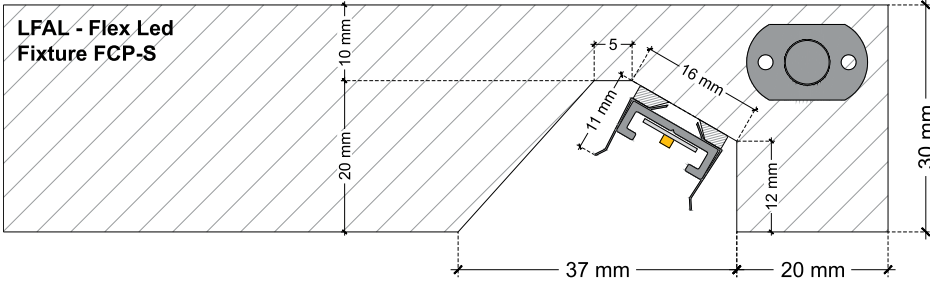


**TECHNICAL DATA SHEET**

**MOBILE SHELVES / EXAMPLE OF INSTALLATION / LFAL**

VERSION - 04.07.2017

LUMINAIRE LFAL - FLEX LED	FCP FIXATION fixed with screw
 <p>LFAL - Flex Led Fixture FCP</p>	

LUMINAIRE LFAL - FLEX LED	FCPS FIXATION fixed with tape & screw
 <p>LFAL - Flex Led Fixture FCP-S</p>	