

## TECHNICAL DATA SHEET

### LU6SAL IP20 / Aga-Led® Type B

VERSION - 16.12.2016

#### STANDARD LUMINAIRE

Reference	LU6SAL
Protection Class	IP20
Lighting Source	Aga-Led® Type B
Connector	Festoon on B'Light conductor 16mm <sup>2</sup>
Dimensions	35 x 39mm
Standard Length	120 - 495 - 990 - 1485 - 1980mm
Length on measure	on request up to 2970mm
Nb Lighting Unit	18 LED/m
Voltage	24V
Power	17.28W/m to 21.6 W/m
Connecting Cable	1m standard cable 2x1.5mm <sup>2</sup>

#### FINISH

##### Color Finishing Profil

Standard	Natural Anodised Aluminium
On request	Thermo-Enameling Powder Coating RAL Color Anodising Polished Aluminium Chrome Aspect Polished Aluminium Gold Aspect

#### ON REQUEST

Cover	CRPS (Ht:+1mm) VSM6 : Opaline Glass (Ht:+20mm)
End Caps	ERPS ERPS-N (luminaire length mini 140mm)
Connecting Plug	AMS / AF
Dimming Option	1-10V, Dali, KNX <i>Ask technical departement for more information</i>

#### LIGHTING SOURCE

Lighting Source	Aga-Led® Type B - Generation 2	
Ref	B3	B6
Power	0.96W	1.2W
Voltage	24V	24V
Beam Angle	120°	120°
CRI	80	80
Lifetime	50'000h	
Working T°	-20°C to +45°C	
Environmental protection	Modified acrylate resin	

#### Color Temperature & Luminous Flux / Unit

	2200K	2400K	2700K	3000K	4000K
Aga-Led® B3-G2	--	97 lm	137lm	137lm	137lm
Aga-Led® B6-G2	129 lm	140 lm	166 lm	166 lm	166 lm

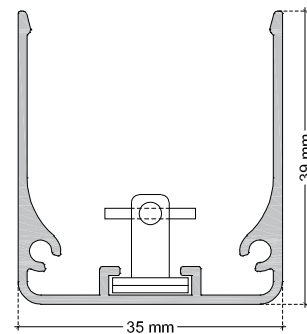
#### CERTIFICAT



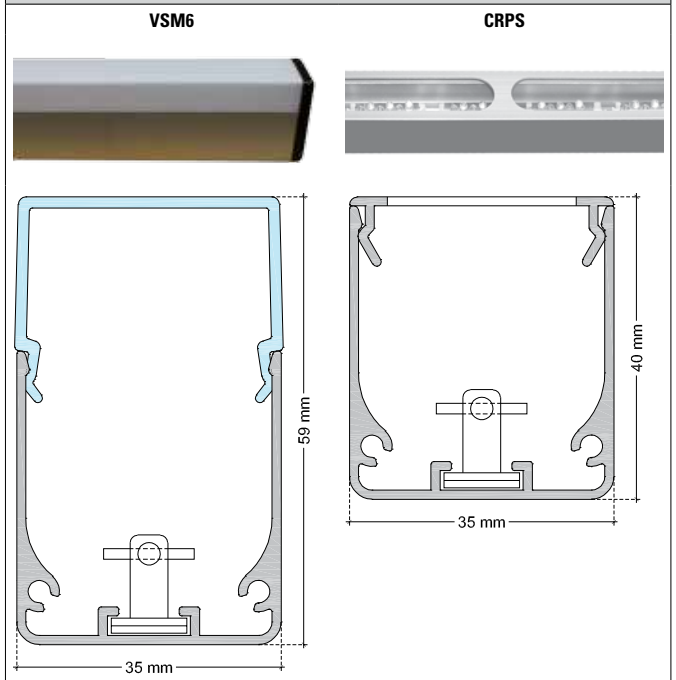
#### APPLICATION: Walls, Frescoes



#### LU6SAL / AGA-LED® TYPE B - Festoon



#### ON REQUEST: LU6SAL Cover



#### ON REQUEST: LU6SAL End Caps

