

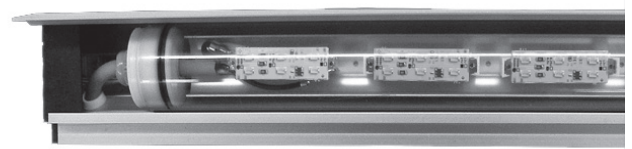
TECHNICAL DATA SHEET

LU4TAL IP66 / Aga-Led® Type B

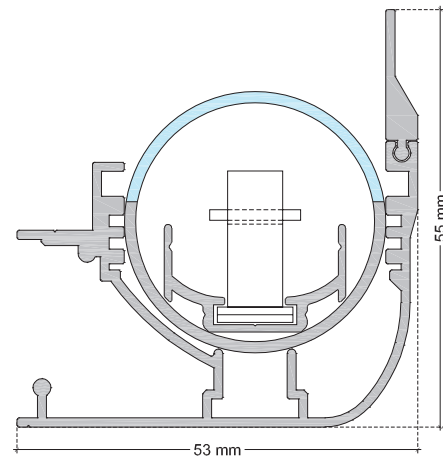
VERSION - 06.01.2017

STANDARD LUMINAIRE

Reference	LU4TAL66
Protection Class	IP66
Lighting Source	Aga-Led® Type B
Connector	Rigid Loop on B'Light conductor 16mm ²
Dimensions	53 x 55mm
Length standard	185 - 515 - 1010 - 1505 - 2000 - 2660mm
Length on measure	on request up to 2990mm
Nb Lighting Source	16 LED/m
Voltage	24V
Power	With B3: 15.36W/m - With B6: 19.2 W/m
Connecting Cable	One Side: 1m cable Silicone 180° 2x1.5mm ²
End Caps	EL3



LU4TAL66 / AGA-LED® TYPE B - Rigid Loop



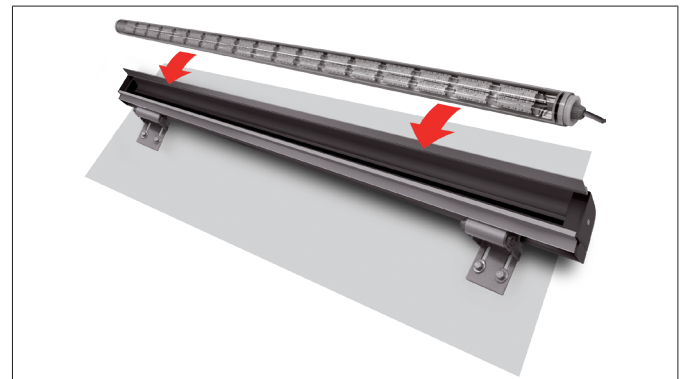
FINISH

Finishing Tube

Standard Polycarbonate
Not suitable for swimming-pool or chlorine environment

Color Finishing Profil

Standard Natural Anodised Aluminium
*On request Thermo-enameling
Powder Coating RAL
Color Anodising*

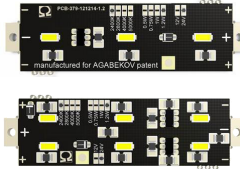


ON REQUEST

Fixation	FLP Series
Connecting Cable	Two sides: in and out cables
Connecting Plug	AMS / AF or AMS-E / AF-E
Dimming Option	1-10V, Dali, KNX <i>Ask technical departement for more information</i>

LIGHTING SOURCE

Lighting Source **Aga-Led® Type B - Generation 2**

Ref	B3	B6	
Power	0.96W	1.2W	
Voltage	24V	24V	
Beam Angle	120°	120°	
CRI	80	80	
Lifetime	50'000h		
Working T°	-20°C to +45°C		

Environmental protection Modified acrylate resin

Color Temperature & Luminous Flux / Unit

	2200K	2400K	2700K	3000K	4000K
Aga-Led® B3-G2	--	97 lm	137lm	137lm	137lm
Aga-Led® B6-G2	129 lm	140 lm	166 lm	166 lm	166 lm

ON REQUEST: Connecting Plug

AF/AMS



AF-E/AMS-E (IP68)



CERTIFICAT

