

## TECHNICAL DATA SHEET

### LU4CSAL IP67 / Aga-Led® Type B

VERSION - 15.05.2017

#### STANDARD LUMINAIRE

Reference	LU4CSAL67
Protection Class	IP67 with Silicone
Lighting Source	Aga-Led® Type B
Connector	Festoon on B'Light conductor 16mm <sup>2</sup>
Dimensions	29 x 32mm
Standard Length	330 - 670 - 1000 - 1330 - 1670 - 2000
Length on measure	on request up to 3000mm
Nb Lighting Unit	18 LED/m
Voltage	24V
Power	With B3: 17.28W/m With B6: 21.6 W/m
Connecting Cable	One side: 50cm cable PUR 2x0.75mm <sup>2</sup>
End Caps	EU4

#### FINISH

##### Color Finishing Profil

Standard	Natural Anodised Aluminium
On request	Thermo-enameling Powder Coating RAL Color Anodising Polished Aluminium Chrome or Gold Aspect

#### ON REQUEST

Fixation	FCU (Width: +4mm)
Cover	VRC: Clear Glass / VRM: Opaline Glass VSC: Clear Glass / VSM: Opaline Glass
End Caps	EU4C (For VSC/VSM Cover)
Connecting Plug	AMS / AF or AMS-E / AF-E
Dimming Option	1-10V, Dali, KNX <i>Ask technical departement for more information</i>

#### LIGHTING SOURCE

Lighting Source	Aga-Led® Type B - Generation 2	
Ref	B3	B6
Power	0.96W	1.2W
Voltage	24V	24V
Beam Angle	120°	120°
CRI	80	80
Lifetime	50'000h	
Working T°	-20°C to +45°C	
Environmental protection	Modified acrylate resin	

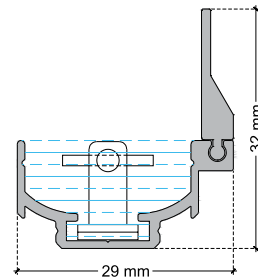
#### Color Temperature & Luminous Flux / Unit

	2200K	2400K	2700K	3000K	4000K
<b>Aga-Led® B3-G2</b>	--	97 lm	137lm	137lm	137lm
<b>Aga-Led® B6-G2</b>	129 lm	140 lm	166 lm	166 lm	166 lm

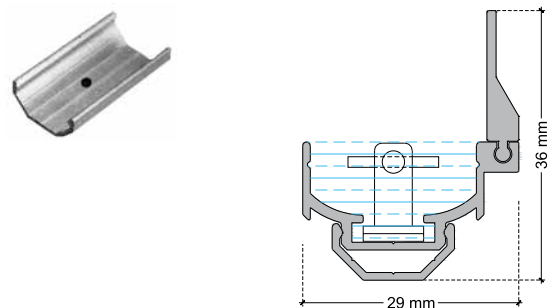
#### CERTIFICAT



#### LU4CSAL / AGA-LED® TYPE B - Festoon

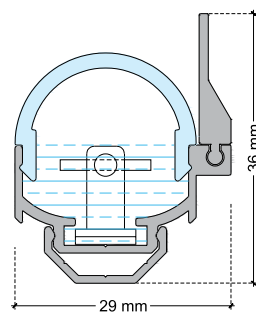


#### LU4CSAL + FCU

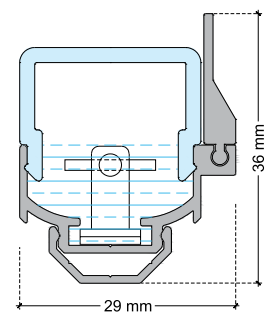


#### LU4CSAL Cover

##### LU4CSAL + VRC (or VRM)



##### LU4CSAL + VSC (or VSM)



#### On Request: Connecting Plug

##### AF/AMS



##### AF-E/AMS-E (IP68)

