

TECHNICAL DATA SHEET

LED Track Light / EN-TLA008-01, EN-TLA015-01

VERSION - 29.08.2017

STANDARD LUMINAIRE

Reference	EN-TLA008-01	EN-TLA015-01
Power	8 W	15 W
Current	200 mA	350 mA
Protection Class	IP20	IP20

Dimensions	Spot: ø86 x 128mm 3-pin track: 163.9 x Ht.220.8mm 4-pin track: 163.9 x Ht.231.8mm
Voltage	AC220-240V, 50-60Hz
Led Type	Sharp Cob Led
CRI	80+ or 90+
Beam Angle	10° or 15° or 24° or 38° or 60°
Dimmable	Yes
Installation	Track or Surface-Mounted
Working T°	-20°C ~ +45°C
Warranty	5 years

APPLICATION:

- perfect replacement for conventional halogen light
- shopping mall, clothing shop
- museum or art gallery
- commercial complex, showroom,



FINISH

Standard Black, White, Silver



ON REQUEST

CRI	80+ or 90+
Beam Angle	10° or 15° or 24° or 38° or 60°
Honeycomb	Honeycomb protection
Installation Type	On 3-pin or 4-pin track Surface-Mounted
Dimming Option	8W: Triac, 1-10V 15W: Triac, Dali, 1-10V <i>Ask technical departement for more information</i>

COLOR TEMPERATURE & LUMINOUS FLUX

EN-TLA008-01

2'700K	3'000K	4'000K	5'000K
520 lm ±5%	605 lm ±5%	648 lm ±5%	664 lm ±5%

EN-TLA015-01

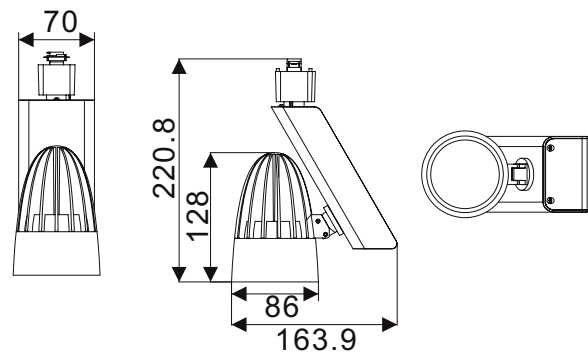
2'700K	3'000K	4'000K	5'000K
1005 lm ±5%	1098 lm ±5%	1155 lm ±5%	1235 lm ±5%

CERTIFICAT

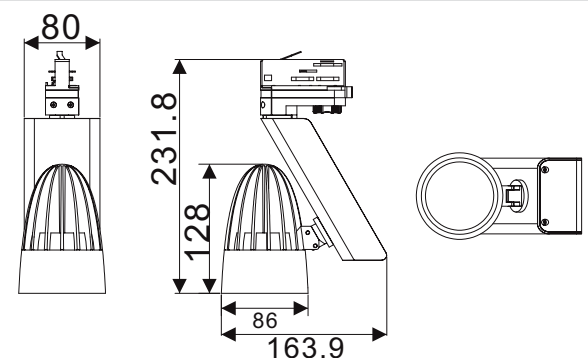
CE RoHS

TECHNICAL DRAWINGS

3-pin track



4-pin track



AGABEKOV



AGABEKOV SA Manufacture 6, ROUTE DE COMPOIS
CH-1222 VÉSENAZ - GENEVA - SWITZERLAND
Tel. +41 22 752 47 45 Fax. +41 22 752 37 08
E - mail: info@aaabekov.com



AGABEKOV SA Bureau d'etudes 6, ROUTE DE COMPOIS
CH-1222 VÉSENAZ - GENEVA - SWITZERLAND
Tel. +41 22 752 47 45 Fax. +41 22 752 37 08
Internet: www.aaabekov.com

